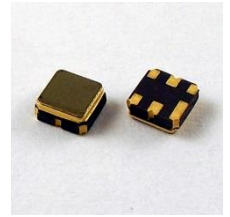


- Low-loss RF SAW filter for mobile systems
- Low amplitude ripple
- No matching network required for operation at 50Ω
- Ceramic package for Surface Mounted Technology (SMT)
- Lead-free production and RoHS compliant

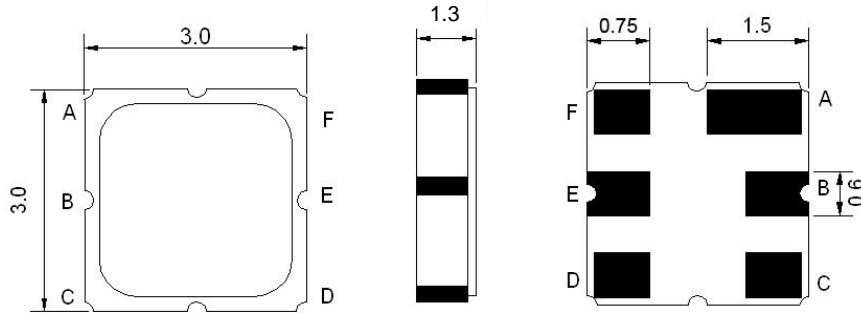


Electrical Characteristics

MAXIMUM RATING				
PARAMETERS DESCRIPTION	UNIT	MINIMUM	TYPICAL	MAXIMUM
Operating Temperature Range	°C	-40	-	+85
Storage Temperature Range	°C	-40	-	+85
Maximum DC Voltage	V _{DC}	-	-	0
Maximum Input Power Level	dBm	-	-	5
Source Impedance	Ω	-	50	-
Load Impedance	Ω	-	50	-
Length x Width	mm ²	-	3.0 x 3.0	-
Height	mm	-	-	1.3

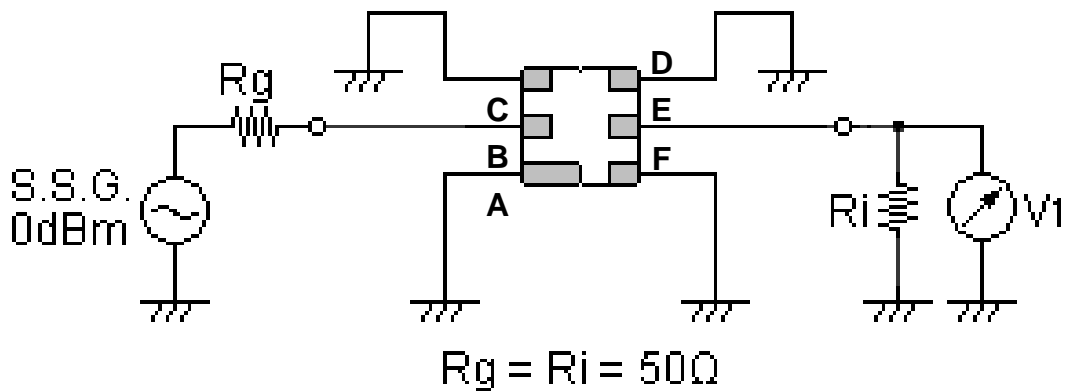
ELECTRICAL SPECIFICATION				
PARAMETERS DESCRIPTION	UNIT	MINIMUM	TYPICAL	MAXIMUM
Center Frequency (Fo)	MHz	-	2137.5	-
Insertion Loss @ 2130.00 ~ 2145.00MHz	dB		3.8	5.0
Amplitude Ripple (p-p) @ 2130.00 ~ 2145.00MHz	dB		0.7	1.5
Group Delay Ripple @ 2130.00 ~ 2145.00MHz	nS		10	40
Absolute Attenuation:				
DC~ 2000.00 MHz	dB	25	35	
2000.00 ~ 2050.00 MHz	dB	30	42	
2050.00 ~ 2080.00 MHz	dB	30	37	
2170.00 ~ 2200.00 MHz	dB	10	18	
2200.00 ~ 3000.00 MHz	dB	25	31	
3000.00 ~ 4000.00 MHz	dB	25	30	
Input / Output VSWR @ 2130.00 ~ 2145.00MHz			1.4:1	2.0:1

Package Dimensions



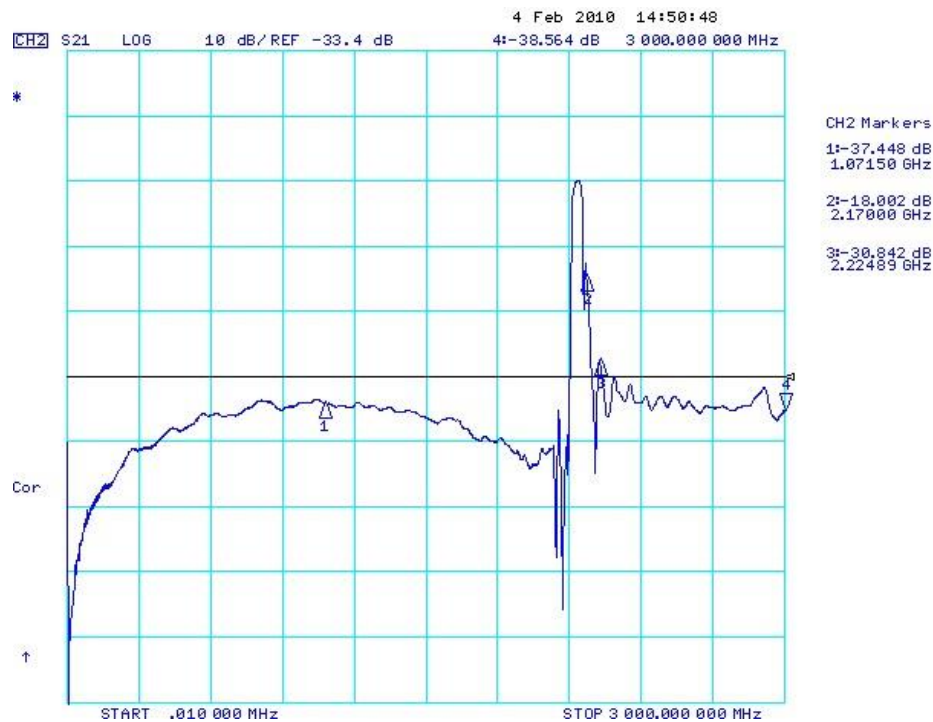
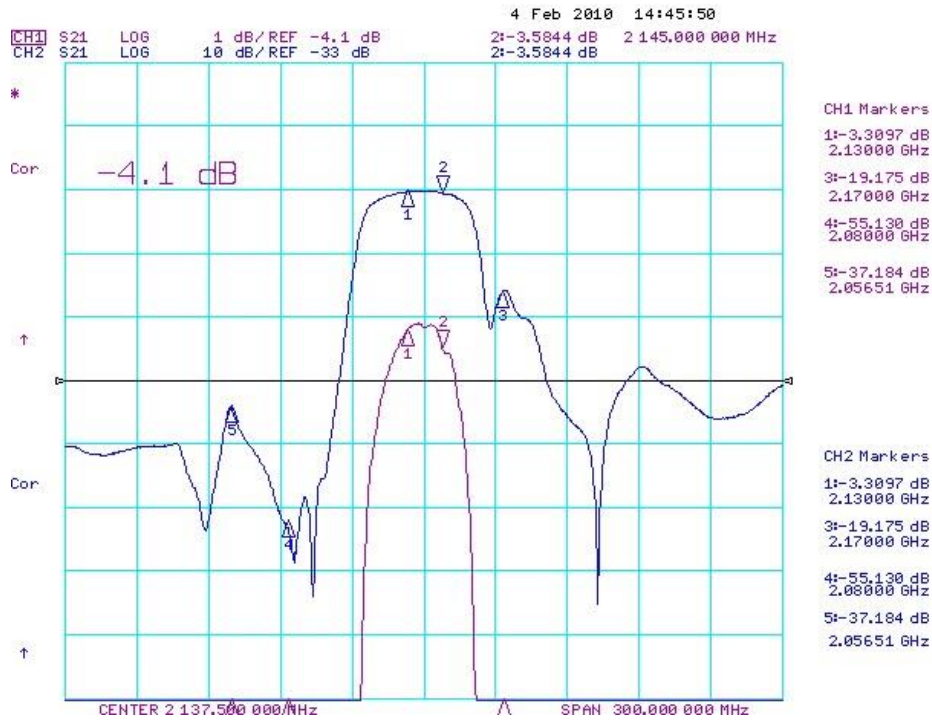
Pin Description	
B	Input
E	Output
A, C, D, F	Ground

Testing Environment



Frequency Characteristics

Frequency Response



Frequency Response

